

TRANSFORMER OIL PURIFICATION PLANT
CMM-4.0(4000 l/h)



Drying, degassing and filtration of oil
On site drying of transformer with simultaneous treatment of the oil
First filling of electrical apparatuses with insulating oil



As option can be mounted on roadworthy trailer

APPLICATION

CMM systems serve for degasification, dehydration and filtration of transformer, cable, turbine and other oils for removal of gases, free and soluble water and particulate matter. The system is applied while installation, repair and operating of oil-filled high voltage equipment up to 1150 kV (power transformers, high-voltage switches etc.) as well as turbines.

TECHNICAL PARAMETERS

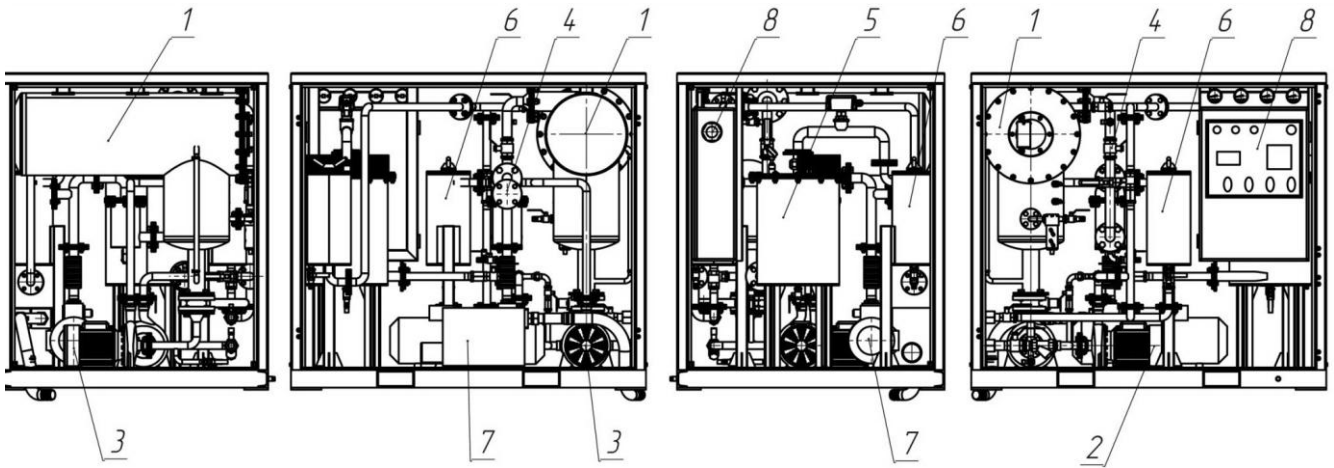
Name of parameter		Value
1	Capacity, m ³ /h	
	- in thermo-vacuum dehydration and filtration mode	4
	- in heating and filtration mode	4
2	Maximum oil outlet temperature in heating mode , °C	70
3	Outlet pressure, MPa	0,2
4	Oil heater power, kW	50
5	Maximum power consumption, kW	60
6*	Electric current parameters	
	- voltage, V	400
	- AC frequency, Hz	50
7	Dimensions CMM-4,0, mm	
	- length	1625
	- width	1225
	- height	1600

***Power supply parameter as per clients' requirement**

GUARANTEED OIL PARAMETERS AFTER TREATMENT

	Test method	Before treatment	After treatment
Breakdown voltage	IEC 60156	≤ 20 kV	≥ 40 kV
Water content	ASTM D-1744-	≥ 50 ppm	≤10 ppm
Gas content	ASTM D-2945-	Up to 12%	≤ 1,5 %

COMPONENT PARTS



- 1** - vacuum column
- 2** - oil input pump
- 3** - oil output pump
- 4** - pipeline system with stop and control valves
- 5** - oil heater
- 6** - fine filter
- 7** - vacuum pump
- 8** - control cabinet

MODES OF OPERATION

The unit can be operated in the following modes:

- oil heating and filtration
- filtration, heating and thermo-vacuum oil purification
- evacuation of transformer
- pumping of oil



For further details contact: Andrej Kulish, +4944842023599, sales@globecore.de